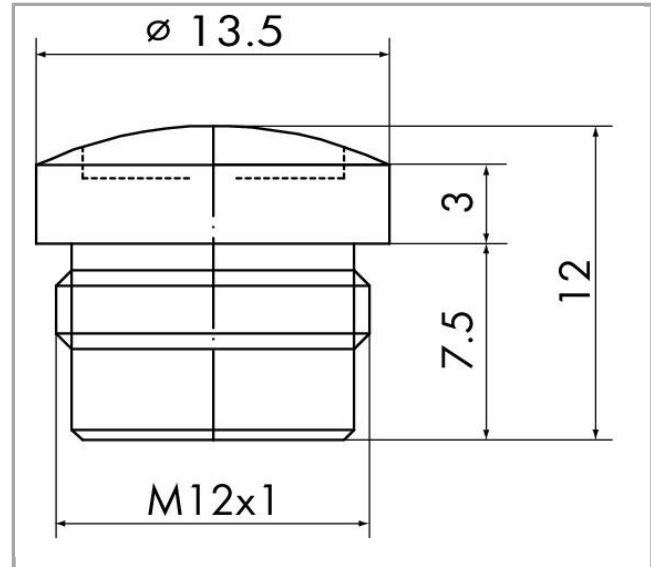


756-8102



Data

Mechanical data

Weight	0.96 g
--------	--------

Environmental Requirements

Protection class	IP67
Fire load	0.003 MJ

Commercial data

Product Group	23 (I/O passive and accessories)
Country of origin	CZ
GTIN	4045454301156



Customs Tariff No.

39269097900

Material Data

Weight

0.96 g

Downloads

Documentation

System Description

767 Series, SPEEDWAY accessories, data sheet

[Download](#)

IP67 Cables and Pluggable Connectors

pdf
293.9 kB

[Download](#)

Subject to changes.
